

Platen Cover type 1018
(B406)

Platen Cover type 1018 (B406)

PARTS CATALOG

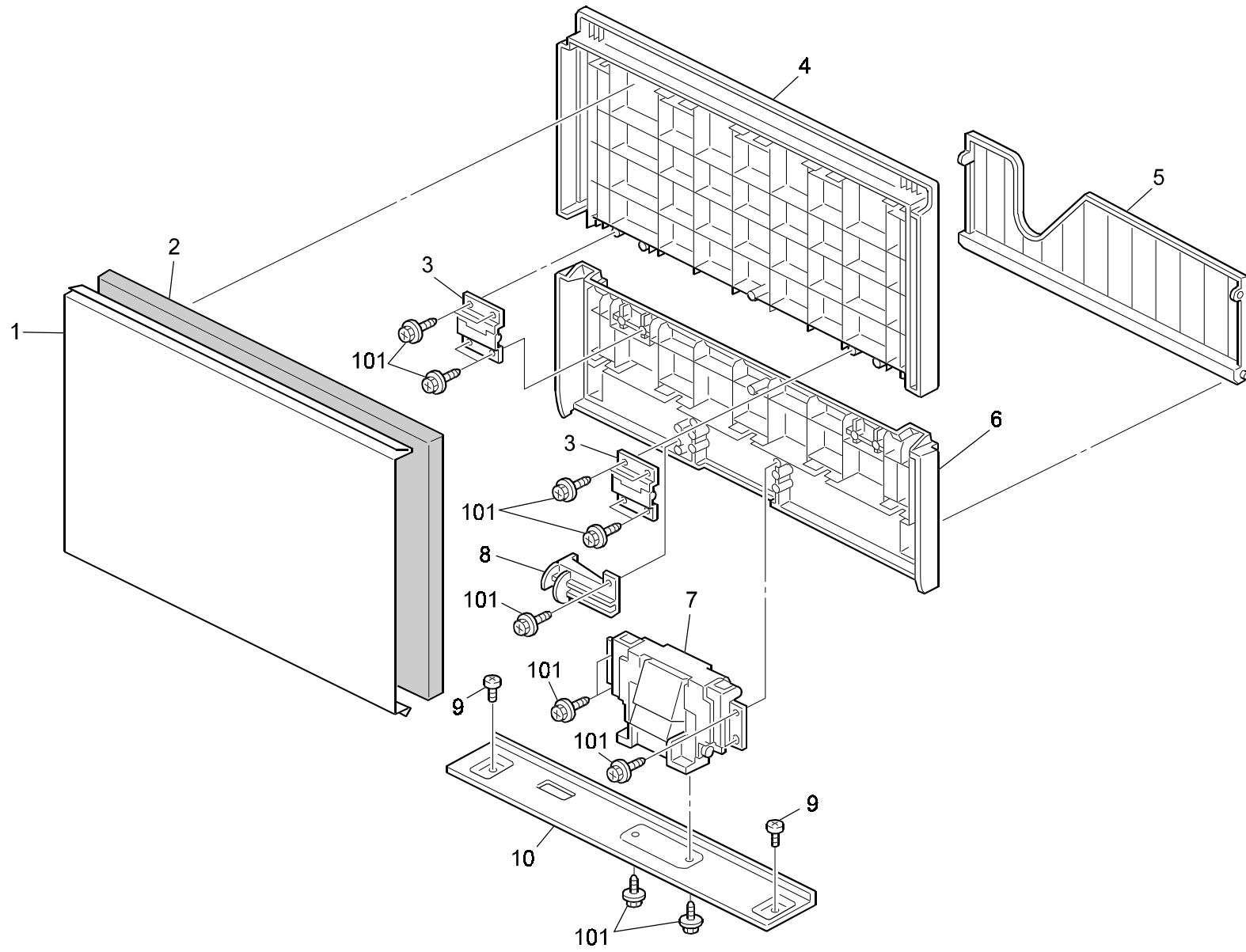
This catalog gives the numbers and names of parts on this machine.

CONTENTS

1.Platen Cover Type 1018 (B406).....	2
Parts Index	5

February ,28 ' 2001

1.Platen Cover Type 1018 (B406)



1.Platen Cover Type 1018 (B406)

Index No.	Part No.	Description	Q'ty Per Assembly
1	5448 2804	Platen Cover Sheet	1
2	AA16 2067	Platen Cover Pad	1
3	A053 1957	Flex Hinge - Platen Cover	2
4	B406 1387	Front Platen Cover	1
5	B406 1397	Original Holder	1
6	B406 1392	Rear Platen Cover	1
7	A193 1248	Platen Cover Hinge Assembly	1
8	A250 1384	Feeler - Platen Cover	1
9	A548 6121	Screw - M4	2
10	A250 1383	Bracket - Platen Cover	1



Index No.	Part No.	Description	Q'ty Per Assembly
101	0450 4012B	Tapping Scrwe - M4x12	

Parts Index

Parts Index

Part No.	Description	Page and Index No.
B406 1387	Front Platen Cover	3- 4
B406 1392	Rear Platen Cover	3- 6
B406 1397	Original Holder	3- 5

Part No.	Description	Page and Index No.
AA16 2067	Platen Cover Pad	3- 2
B406 1387	Front Platen Cover	3- 4
B406 1392	Rear Platen Cover	3- 6
B406 1397	Original Holder	3- 5

Part No.	Description	Page and Index No.
A053 1957	Flex Hinge - Platen Cover	3- 3
A193 1248	Platen Cover Hinge Assembly	3- 7
A250 1383	Bracket - Platen Cover	3- 10
A250 1384	Feeler - Platen Cover	3- 8
A548 6121	Screw - M4	3- 9

Part No.	Description	Page and Index No.
5448 2804	Platen Cover Sheet	3- 1

Part No.	Description	Page and Index No.
0450 4012B	Tapping Scrwe - M4x12	3-101

Part No.	Description	Page and Index No.